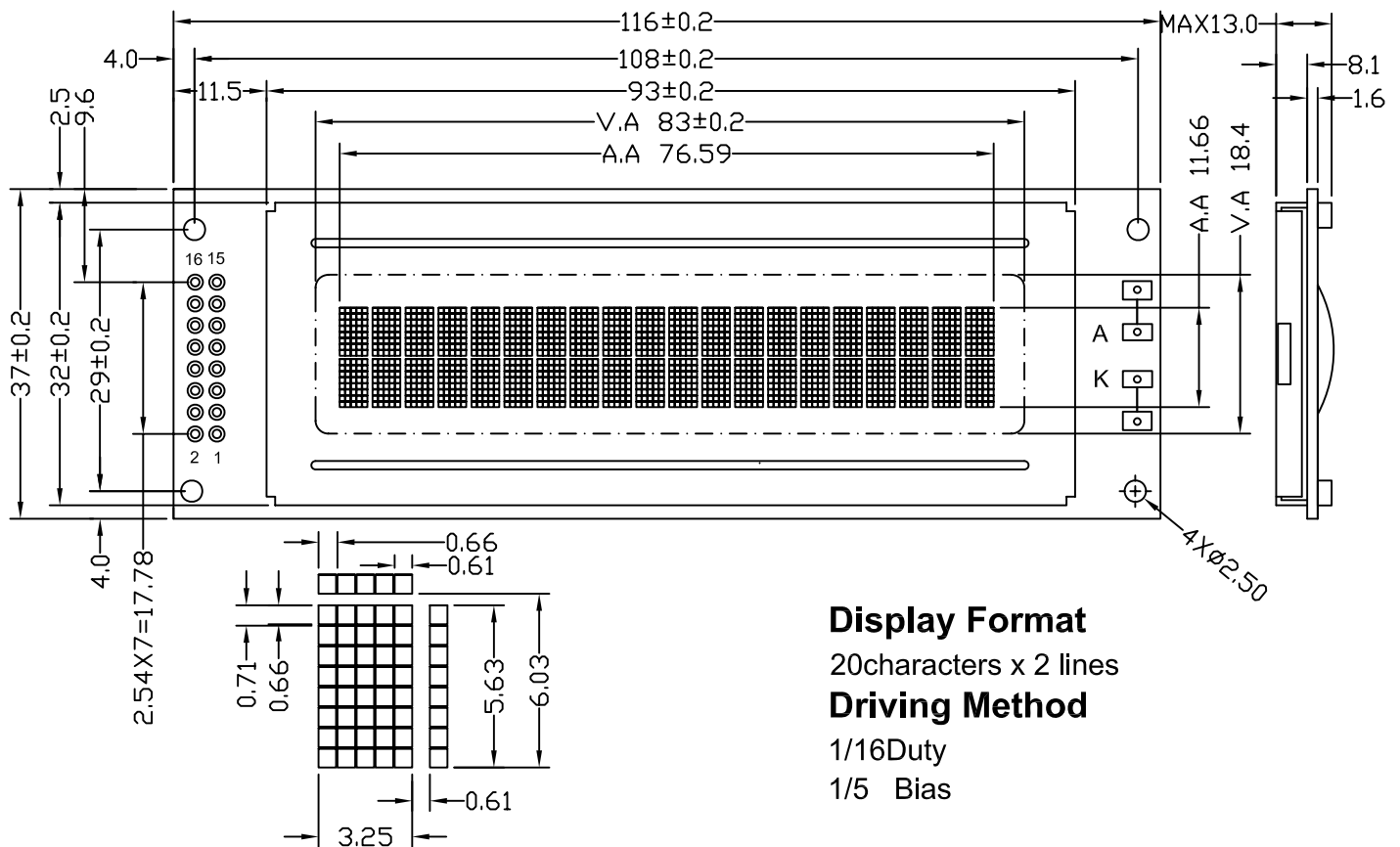


# DV2002A

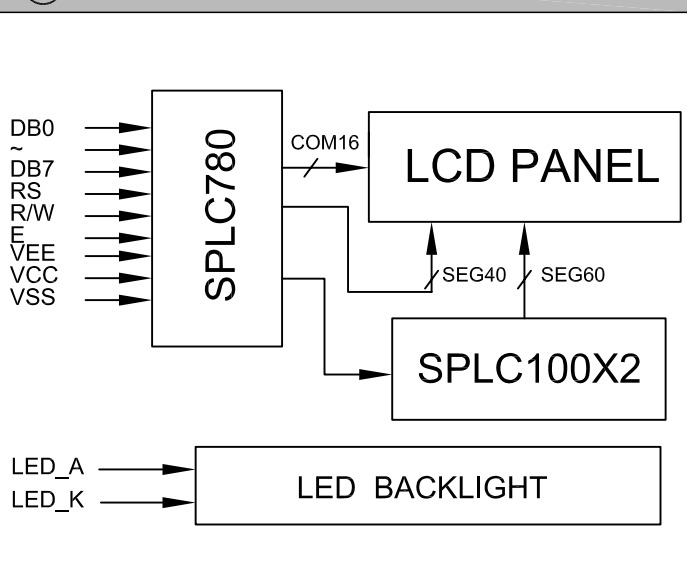
## ① PHYSICAL DIMENSION



## ② MECHANICAL DATA

ITEM	SPECIFICATION	UNIT
Module Size With B/L ( W X H X T )	116 X 37 X 13	mm
Viewing Area ( W X H )	83X18.4	mm
Number of Characters ( W X H )	20 X 2	Characters
Dot Pitch ( W X H )	0.66 X 0.71	mm
Dot Size ( W X H )	0.61 X 0.66	mm
Weight	70.0 (With B/L)	g

## ④ BLOCK DIAGRAM



## ③ PIN CONFIGURATION

ITEM	SYMBOL	DESCRIPTION
1	VSS	Power ground
2	VCC	Power positive (+5V±10%).
3	VEE	Negative voltage Supply for LCD
4	RS	H:Data L:Instruction Code
5	R/W	H:Read L:Write
6	E	Enable trigger.
7	DB0	Data bus [0~7]. There state I/O common terminal.
14	DB7	
15	LED_A	Backlight Anode(+5V) .
16	LED_K	Backlight Cathode (0V).

## ⑤ ABSOLUTE MAXIMUM RATINGS (25°C)

PARAMETER	SYMBOL	MIN.	MAX.	UNIT
SUPPLY VOLTAGE LOGIC	VDD	0	5.5	V
SUPPLY VOLTAGE DRIVER	VDD-VEE	0	8	V
INPUT VOLTAGE	VIN	0	VDD	V